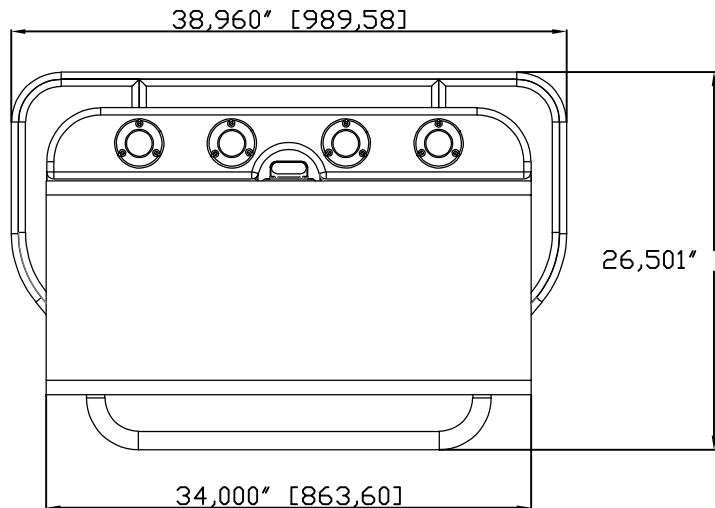
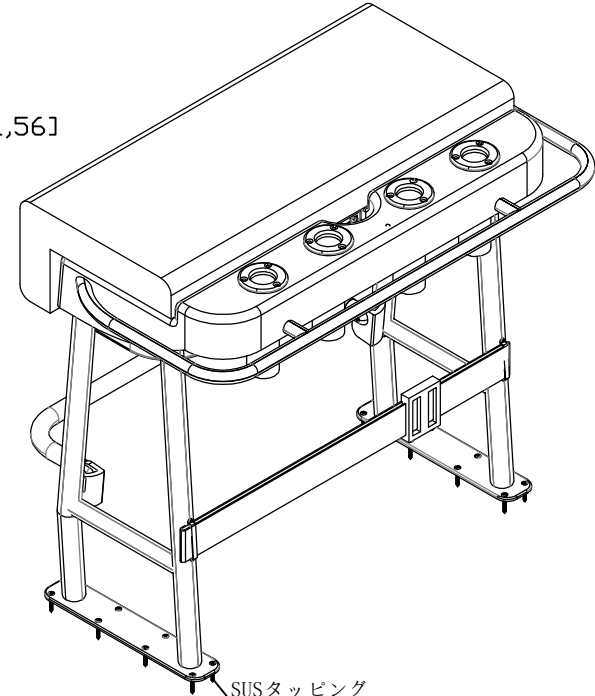
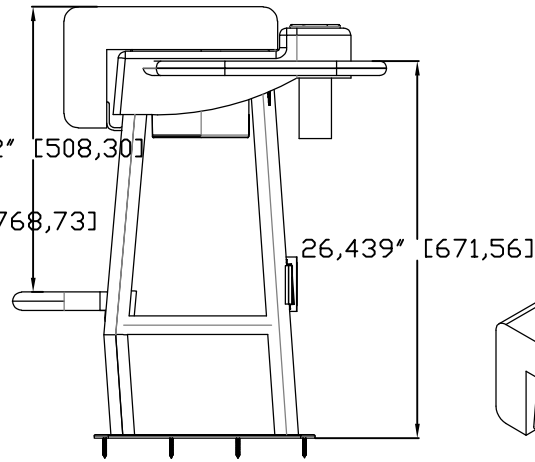
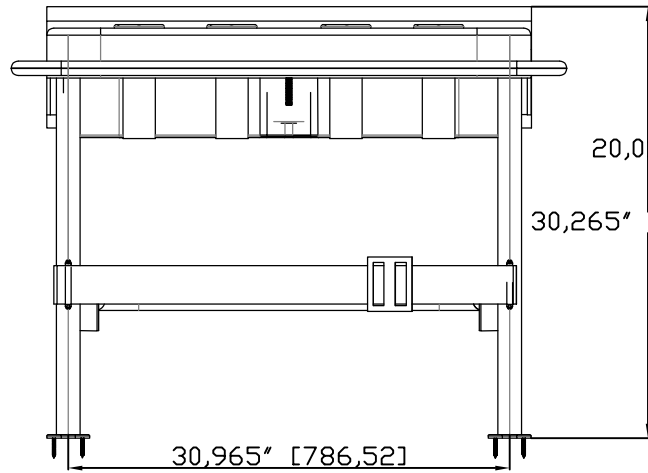


SYSTEM LEANING PRO SERIES



アルミは全て光沢ポリッシュ

SUSタッピング
16PCS

DESCRIPTION	MAT'L	PART NUMBER	TYPE	SPECIFICATION	DIE. NO.	FINISH AND TREATMENT
MATERIAL NOTES				MARINE GRADE POLISHED ALUMINUM		
UNLESS OTHERWISE SPECIFIED:	NAME	DATE	TOPKNOT			
DIMENSIONS: IN INCHES	DRAWN	SHIRATO	24.6.1	TITLE		
TOLERANCES:	CHKD/DEPT.			SYSTEM LEANING PRO-1 (BLK/WHT)		
FRACTIONS = ±1/16				SIZE	FSCM NO.	DRAWING NO.
ANGLES = ±2'				B	OGX68	TK-SYS-LNG-PRO-1 (WHT/BLK)
DECIMALS: X = ±.015	ENGRG. APPVL.			SCALE		REV.
XX = ±.010				NTS		
XXX = ±.005	CUST. APPVL.			SHEET		OF
MACHINED SURFACES:	AREA.	PERIMETER	QUOTE WT./FT.			
FINISH: 32 RMS						
RADI: FILLET .010 FIR						
CORNER .010 FIR						